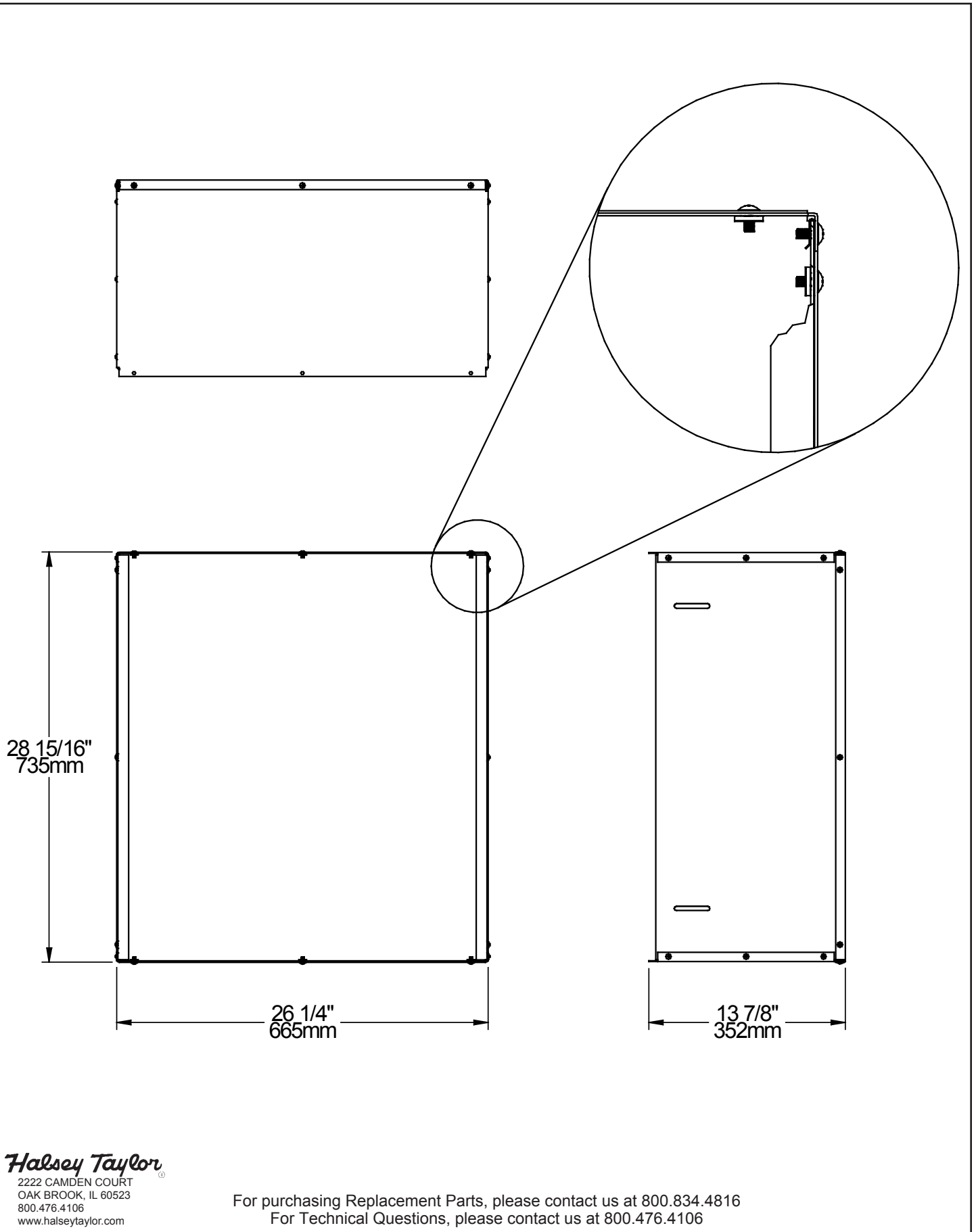


42518 Wall Box Instructions



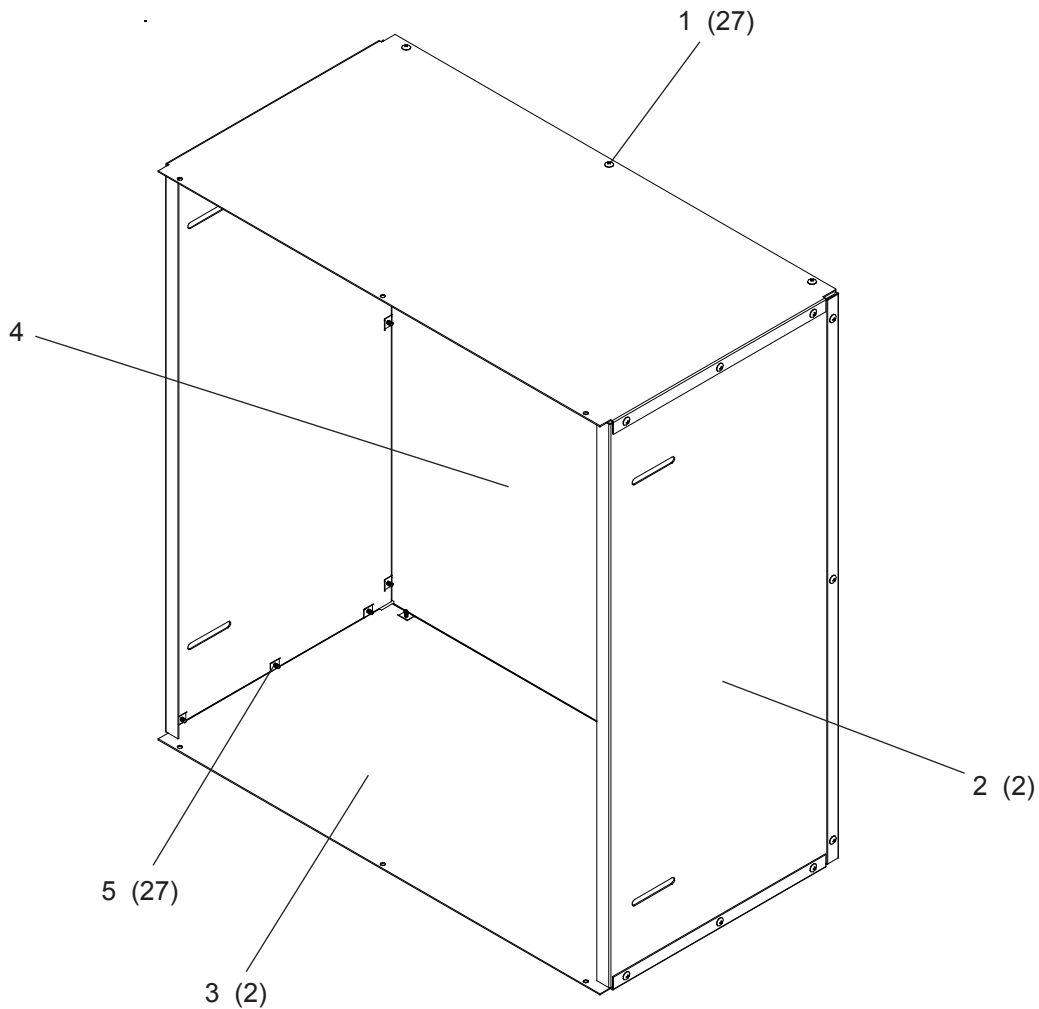
Halsey Taylor
2222 CAMDEN COURT
OAK BROOK, IL 60523
800.476.4106
www.halseytaylor.com

For purchasing Replacement Parts, please contact us at 800.834.4816
For Technical Questions, please contact us at 800.476.4106

42518 Wall Box Instructions

ITEMIZED PARTS LIST

ITEM NO.	PART NO.	DESCRIPTION
1	110711942550	SCREW - #8-32 x 38 TH
2	26788C	PANEL - SIDE RH & LH
3	26789C	PANEL - TOP & BOTTOM
4	26790C	PANEL - BACK
5	70055C	NUT - SPEED 8-32



Halsey Taylor
2222 CAMDEN COURT
OAK BROOK, IL 60523
800.476.4106
www.halseytaylor.com

For purchasing Replacement Parts, please contact us at 800.834.4816
For Technical Questions, please contact us at 800.476.4106